

Instruction Manual

Heavy Load Skate



THANK YOU FOR CHOOSING OUR LOAD SKATES. FOR YOUR SAFETY AND CORRECT OPERATION, PLEASE CAREFULLY READ THE MANUAL BEFORE USE.

NOTE: All of the information reported herein is based on data available at the time of printing. The factory reserves the right to modify its own products at any time without notice or incurring in any sanction. Please verify with the factory for possible updates.

1. GENERAL DESCRIPTION

Skates are ideal for all kinds of heavy equipment moving, machinery installation and maintenance.

2. FEATURE

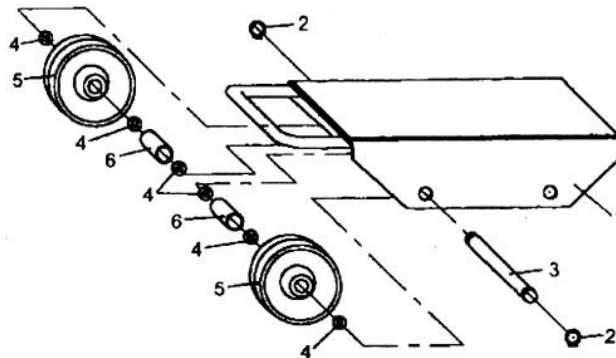
- 2.1 Low height, transport safety (7~20cm)
- 2.2 Weak pulling, transport easily (about 3% of overall load in ideal position)
- 2.3 Combine easily, strong adaptation (load 1~60T)
- 2.4 Small equipment, easy storage

3. USES

- 3.1 Capacities of SF10, SF20, SF25, SF30, and SF60 are respective 1T, 2T, 2.5T, 3T, and 6T.
Line-pull roller is suitable for pulling in straight-line fashion and turning.
- 3.2 Capacities of SC104, FY06, 3000-12, AS20-PA, and CH-4 are respective 1T, 6T, 3T, 2T, and 1T. Line-pull roller is suitable for pulling in straight-line fashion and turning.
- 3.3 Capacities of AS20-P, AS40-P, AS60-P, and AS120-P are respective 2T, 4T, 6T, and 12T.
Line-pull roller is suitable for pulling in straight-line fashion and turning.
- 3.4 ST30, ST60 and ST120 participate of pulling rollers. Their capacities are respectively 3T, 6T and 12T. They can be pulled to change direction.
- 3.5 CM60, CM120 and CM240 are combination, capacities of which are respectively 6T, 12T and 24T. They are suitable for pulling large goods.

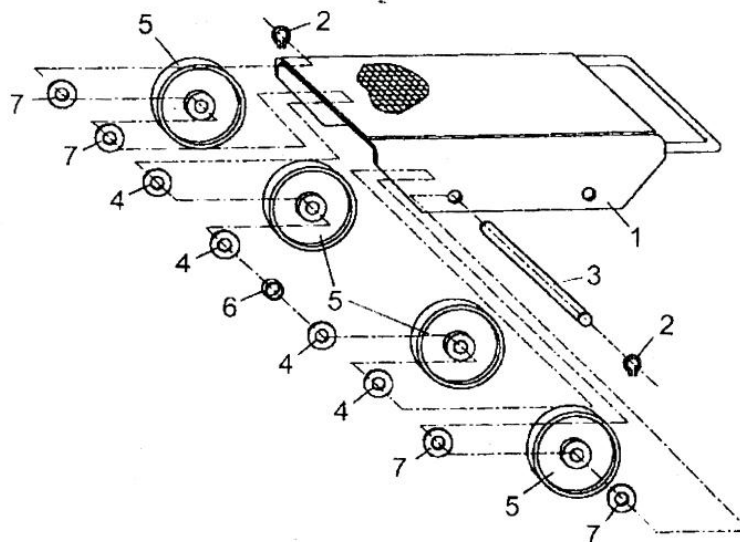
4、EXPLODED FIGURES&PARTS LISTS

4.1 Exploded Figure of SF10 and Parts list



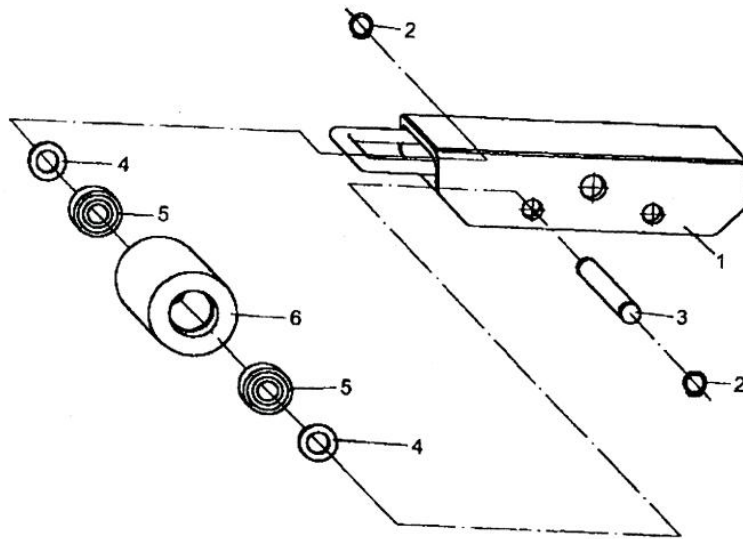
No.	Description	Q'ty
1	Frame	1
2	Retaining ring	4
3	Axle	2
4	Washer	12
5	Wheel	4
6	Bushing	4

4.2 Exploded Figure of SF20 and Parts list



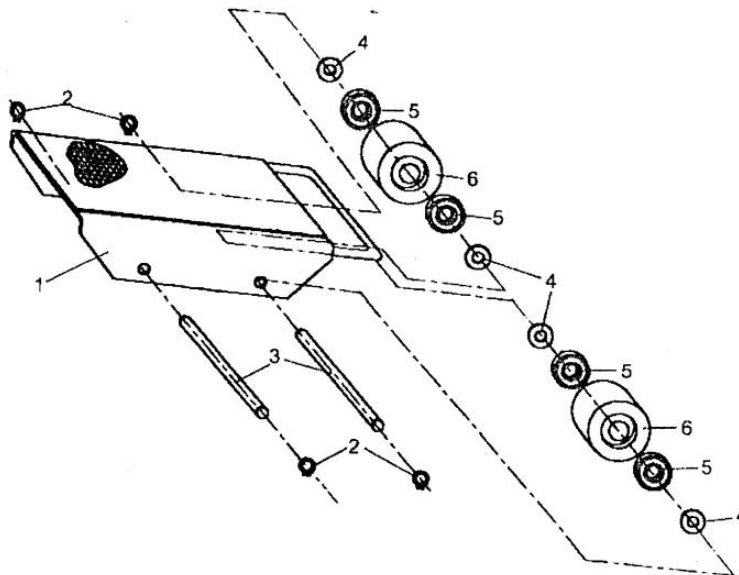
No.	Description	Q'ty
1	Frame	1
2	Retaining ring	4
3	Axle	2
4	Washer	8
5	Wheel	8
6	Bushing	2
7	Washer case	8

4.3 Exploded Figure of SF25 and Parts list



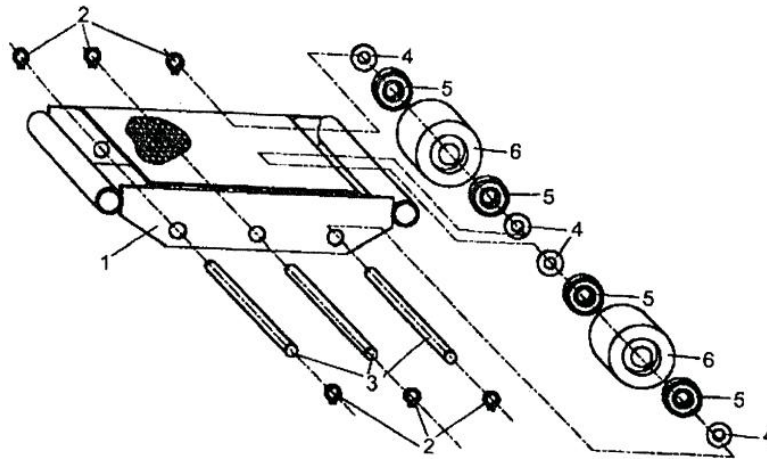
No.	Description	Q'ty
1	Frame	1
2	Retaining ring	4
3	Axle	2
4	Washer casing	4
5	Bearing	4
6	Roller	2

4.4 Exploded Figure of SF30 and Parts list



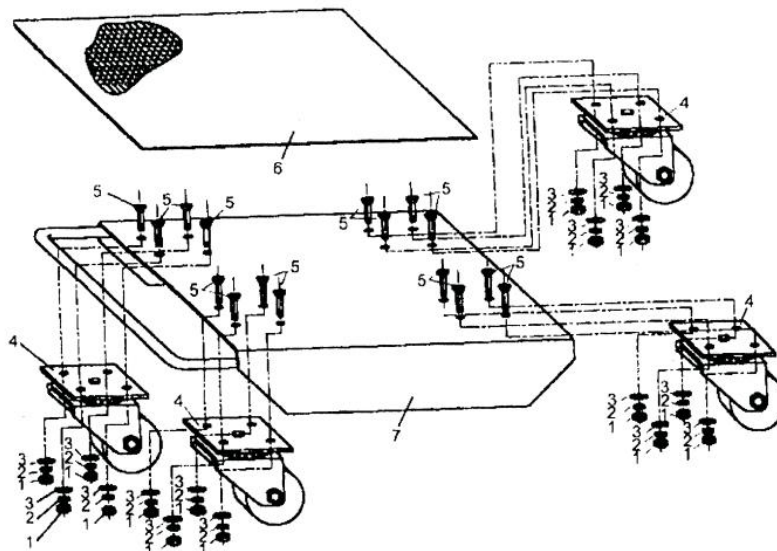
No.	Description	Q'ty
1	Frame	1
2	Retaining ring	4
3	Axle	2
4	Washer casing	8
5	Bearing	8
6	Roller	4

4.5 Exploded Figure of SF60 and Parts list



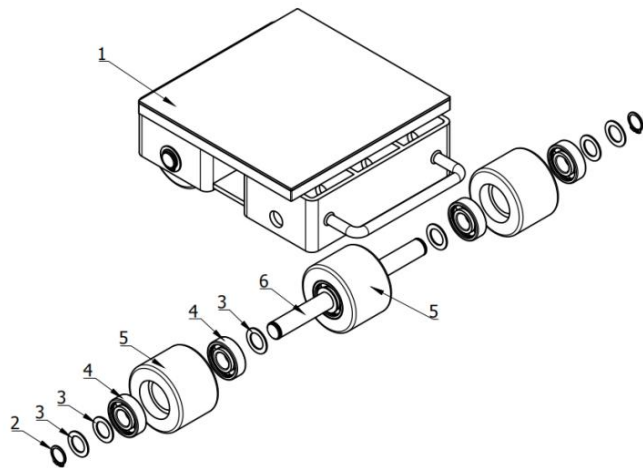
No.	Description	Q'ty
1	Frame	1
2	Retaining ring	6
3	Axle	3
4	Washer	12
5	Bearing	12
6	Roller	6

4.6 Exploded Figure of SC104 and Parts list



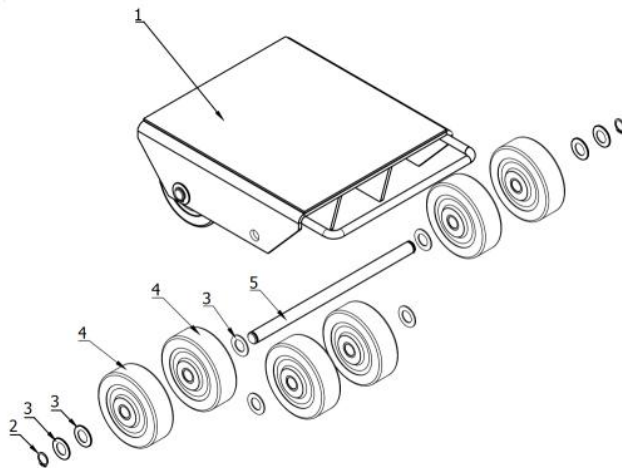
No.	Description	Q'ty
1	Nut	16
2	Spring washer	16
3	Flush washer	16
4	Wheel	4
5	Screw	16
6	Rubber plate	1
7	Retaining ring	1

4.7 Exploded Figure of FY06 and Parts list



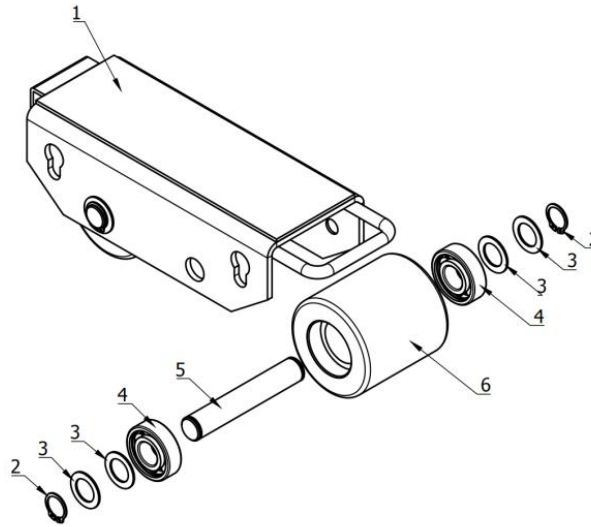
NO.	Description	Quantity
1	Frame	1
2	Retaining Ring	4
3	Washer	12
4	Bearing	12
5	Wheel	6
6	Axle	2

4.8 Exploded Figure of 3000-12 and Parts list



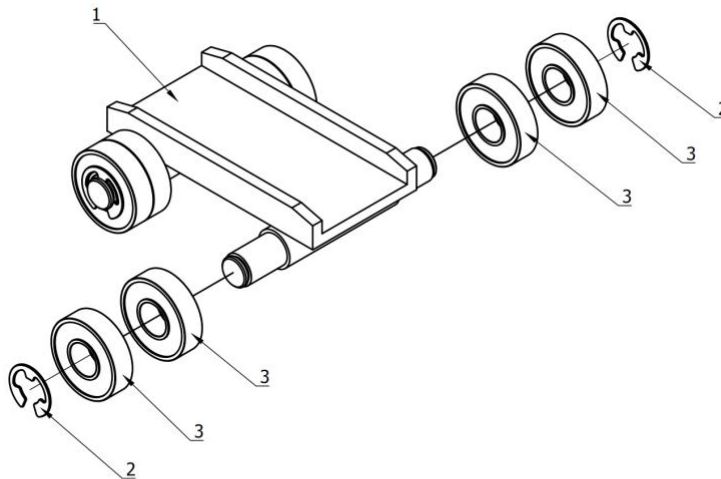
NO.	Description	Quantity
1	Frame	1
2	Retaining Ring	4
3	Washer	24
4	Wheel	12
5	Axle	2

4.9 Exploded Figure of AS20-PA and Parts list



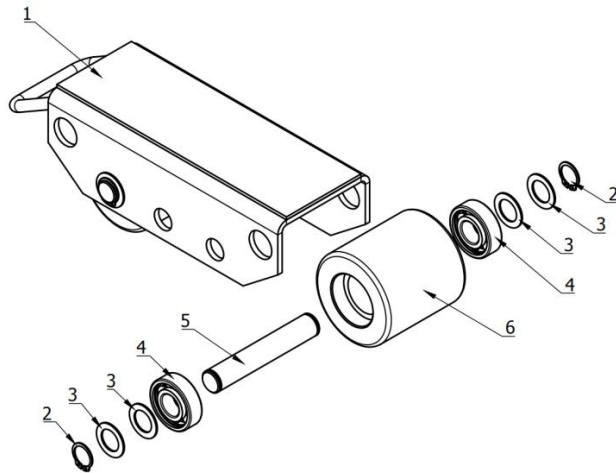
NO.	Description	Quantity
1	Frame	1
2	Retaining Ring	4
3	Washer	8
4	Bearing	4
5	Axle	2
6	Wheel	2

4.10 Exploded Figure of CH-4 and Parts list



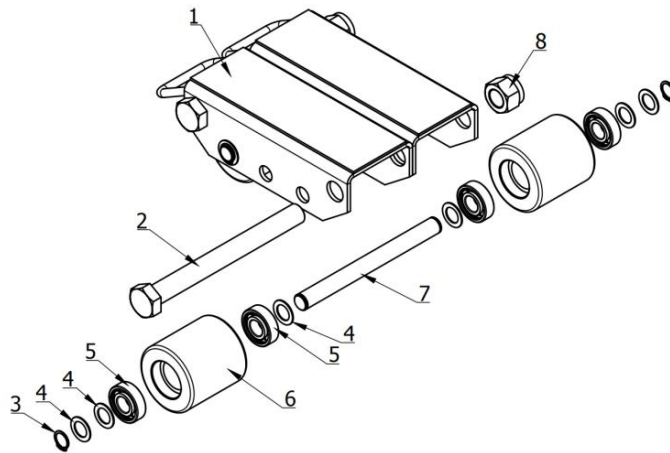
NO.	Description	Quantity
1	Frame	1
2	Retaining Ring	4
3	Bearing - 6305	8

4.11 Exploded Figure of AS20-P and Parts list



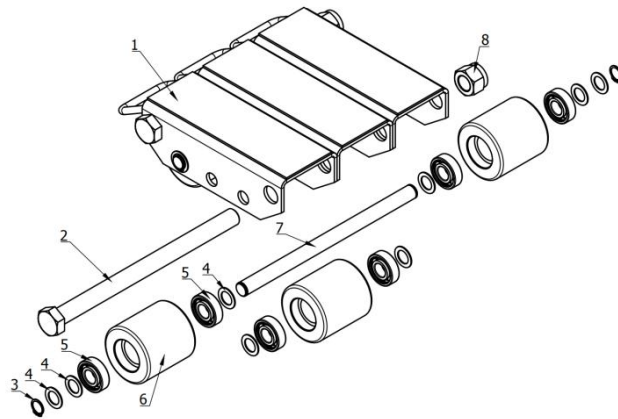
NO.	Description	Quantity
1	Frame	1
2	Retaining Ring	4
3	Washer	8
4	Bearing	4
5	Axle	2
6	Wheel	2

4.12 Exploded Figure of AS40-P and Parts list



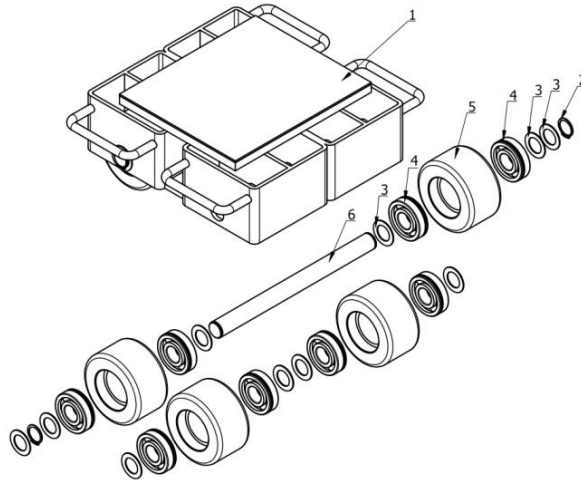
NO.	Description	Quantity
1	Frame	2
2	Bolt	2
3	Retaining Ring	4
4	Washer	12
5	Bearing	8
6	Wheel	4
7	Axle	2
8	Nut	4

4.13 Exploded Figure of AS60-P and Parts list



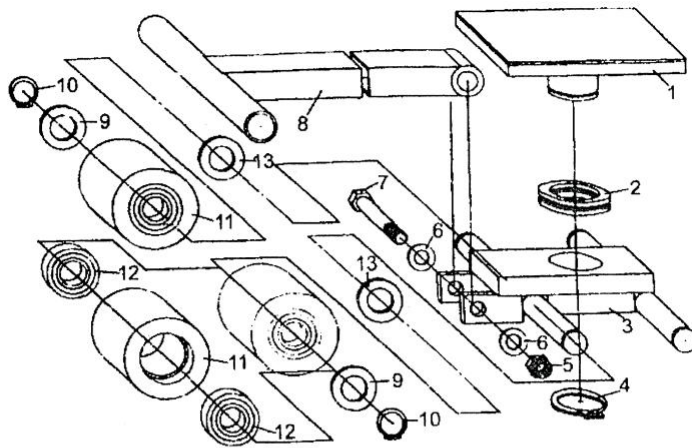
NO.	Description	Quantity
1	Frame	3
2	Bolt	2
3	Retaining Ring	4
4	Washer	14
5	Bearing	12
6	Wheel	6
7	Axle	2
8	Nut	4

4.14 Exploded Figure of AS120-P and Parts list



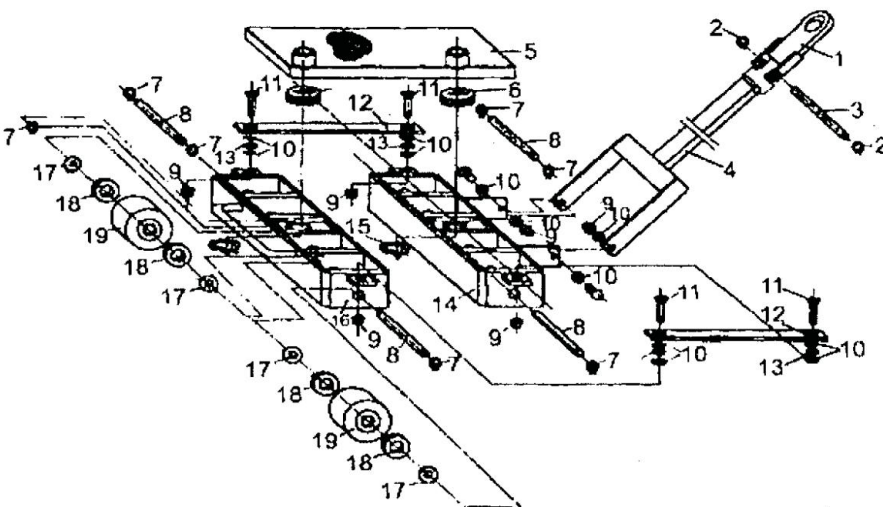
NO.	Description	Quantity
1	Frame	1
2	Retaining Ring	4
3	Washer	16
4	Bearing	16
5	Wheel	8
6	Axle	2

4.15 Exploded Figure of ST30 and Parts list



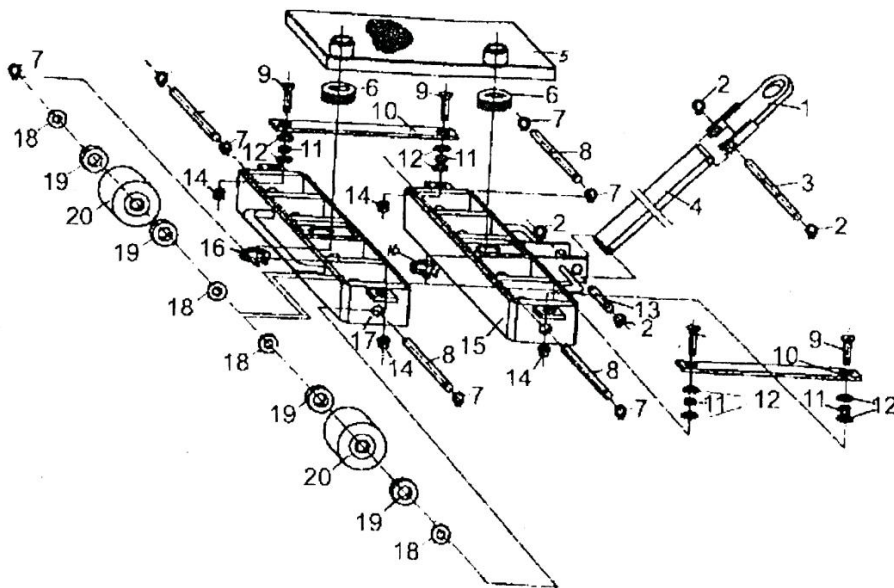
No.	Description	Q'ty
1	Frame	1
2	Bearing	1
3	Roller bracket	1
4	Retaining ring	1
5	Nut	1
6	Washer	2
7	Bolt	1
8	Welded handle	1
9	Washer	4
10	Retaining ring	4
11	Roller	4
12	Bearing	8
13	Washer casing	4

4.16 Exploded Figure of ST60 and Parts list



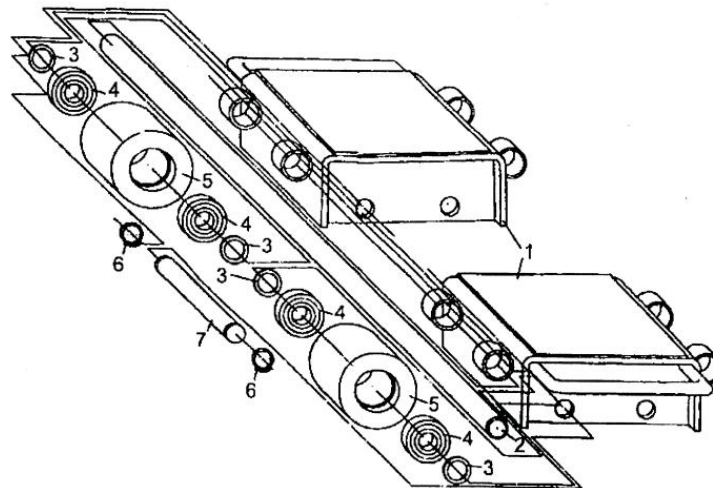
No.	Description	Q'ty
1	Draw base	1
2	Retaining ring 18	2
3	Long axle	1
4	Weld handle	1
5	Pallet rack	1
6	Bearing	2
7	Retaining ring 20	8
8	Axle	4
9	Locknut	6
10	Washer 10	12
11	Screw	4
12	Plate	2
13	Nut	4
14	Left roller bracket	1
15	Retaining ring 50	2
16	Right roller bracket	1
17	Washer casing	16
18	Bearing	16
19	Roller	8

4.17 Exploded Figure of ST120 and Parts list



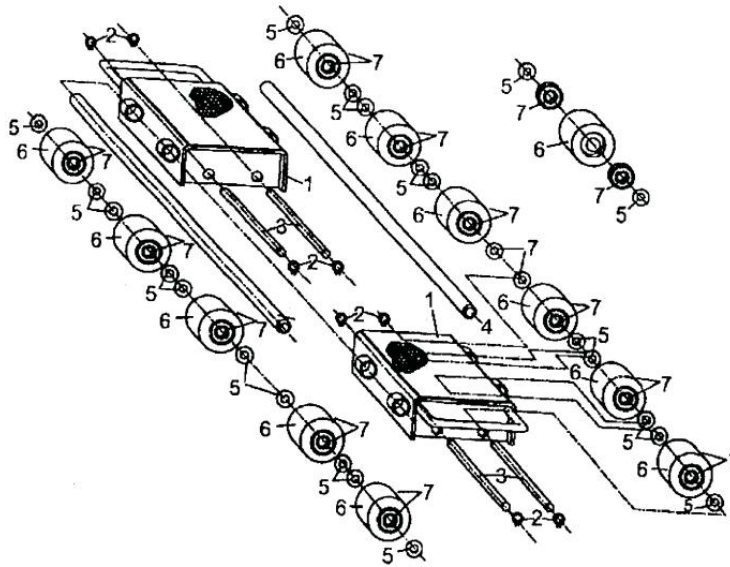
No.	Description	Q'ty
1	Draw base	1
2	Retaining ring 18	4
3	Long axle	1
4	Weld handle	1
5	Pallet rack	1
6	Bearing	2
7	Retaining ring 20	8
8	Axle	4
9	Screw	4
10	Plate	2
11	Nut	4
12	Washer 10	8
13	Short axle	1
14	Locknut	4
15	Left roller bracket	1

4.18 Exploded Figure of CM60 and Parts list



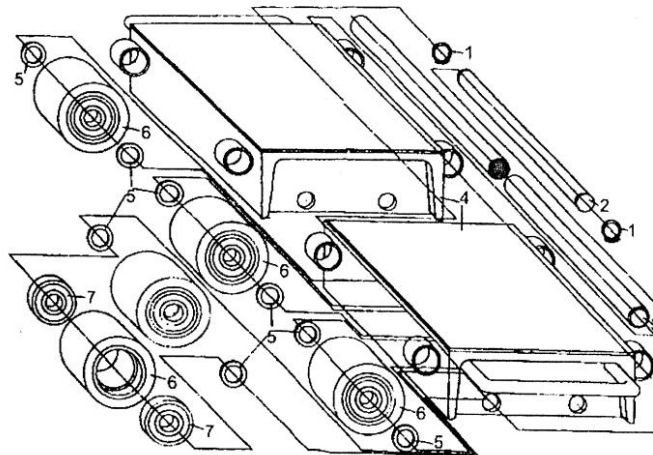
No.	Description	Q'ty
1	Frame	2
2	Rod	2
3	Washer	16
4	Bearing	16
5	Roller	8
6	Retaining ring	8
7	Axle	4

4.19 Exploded Figure of CM120 and Parts list



No.	Description	Q'ty
1	Frame	2
2	Retaining ring	8
3	Axle	4
4	Roller	2
5	Washer	24
6	Roller	12
7	Bearing	24

4.20 Exploded Figure of CM240 and Parts list



No.	Description	Q'ty
1	Retaining ring	8
2	Axle	4
3	Rod	2
4	Frame	2
5	Washer	32
6	Roller	16
7	Bearing	32